

Compost turner **CMC SF 300**



The **CMC SF 300** is the flagship for quality composting. Windrows with a width up to 3.4 m show very good properties for the production of high quality compost and high quality compost substrates.

During the years the **CMC SF 300** has evolved. This optimized solution promises aerobic conditions

for your process.

With a turning performance of more than 1,000 m³/h and a windrow cross-section of up to 3.5 m²/m this machine also meets the expectations of power freaks.

The CMC SF 300 corresponds to the strict criteria of Controlled Microbial Composting.



Compost turner

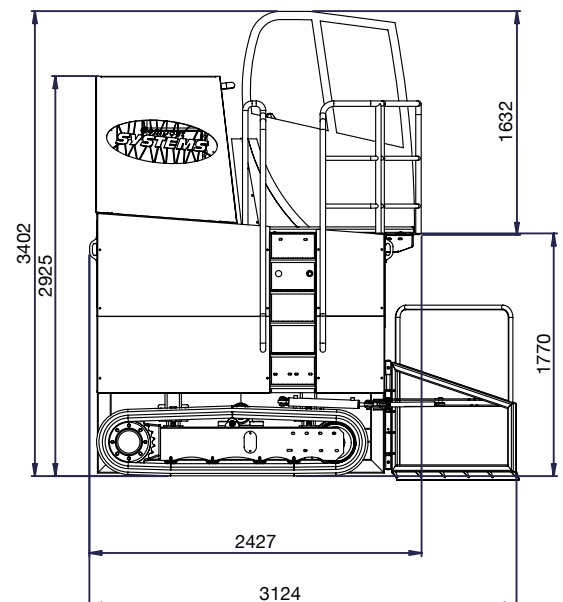
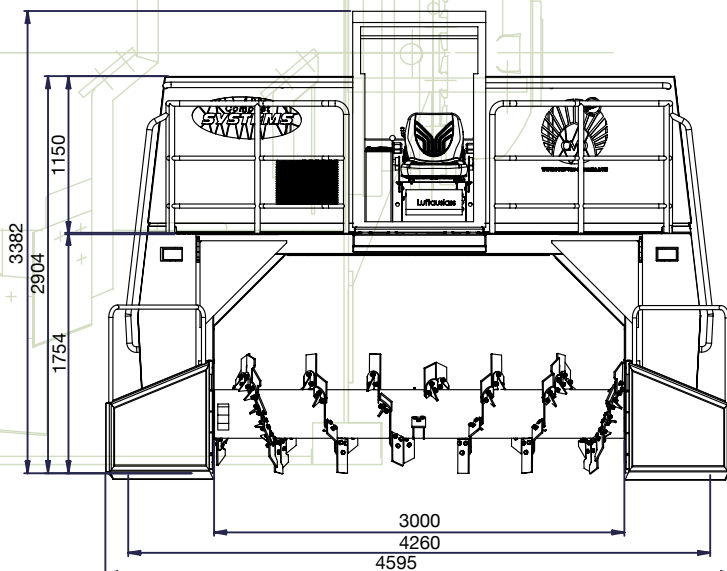
CMC SF 300

Technical data

Maximum width:	3.40 m
Maximum height:	1.60 m
Rotor length:	3.00 m
Machine dimensions:	(L) 3.13 m x (W) 4.60 m x (H) 3.40 m (working position)
Engine:	Type: Perkins diesel engine with turbocharger Capacity: 91.2 kW/125 HP Engine capacity: 4,400 ccm Cylinder: 4
Hydraulic chassis-height adjustment:	40 cm
Weight:	5.10 t (basic version)
Windrow cross section:	approx. 3.5 m ²
Rotor driving system:	Hydraulically operated
Driving system:	Rubber chain infinitely hydraulic driven driving speed (ca. 0 - 4 km/h)
Turning quantity:	+/- 1,500 m ³ /h
Control:	One-hand joystick

Options:

- Fleece roller
- Air conditioning
- Inoculation system
- Special colour
- Activated carbon filter
- Pressure ventilation system
- Reverse camera
- Further equipment on request!



All information is subject to change without notice. Printing errors reserved.